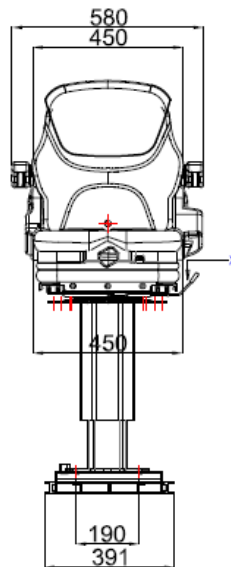
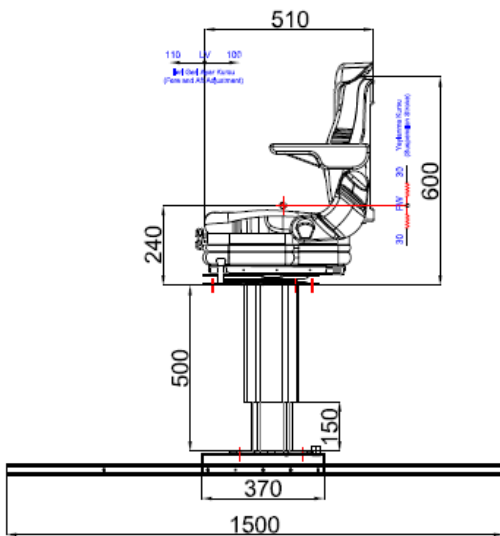


Acthron

Marine Captain Seats

Technical Specification	Mechanical suspension	▲
	Weight adjustment	Manuel up to 150 kgs
	Suspension stroke	60 mm or 100 mm
	Height adjustment - Pedestal	135 mm
	Slide travel	210 mm
	Mechanical lumbar	Δ
	Armrests	Δ
	Adjustable headrest	Δ
	Backrest adjustment	▲
	Vinly trim	▲
	Cloth trim	Δ
	Genuine leather trim	Δ
	Document pouch	Δ
	Slides between seat top and suspension	N/A
Foot rest	Δ	
Turn table	Δ	
Pedestal	Δ	
Standart connection with pedestal	190 x 190 mm	
Standart connection with turn table without pedestal	328 mm x 302 mm (216-230-280 mm x 302 mm)	

▲ Standart
 Δ Optional
 N/A Not Available



Seat Weight 55 kg
Pedestal Weight 20 kg
Rail Weight(1500mm) 28 kg

